

MCNL / MCNR series

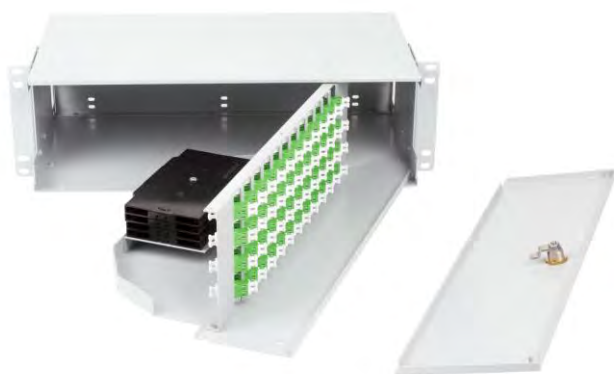
Splice and Termination swing cabinet with angled adapters

Description:

MCNR/MCNL series are an economical 19" rack mountable splice & termination cabinet with reduced depth for use with splicing of manufactured pigtails, preterminated cables and field-installable connectors.

MCNR/MCNL has front panel with angle mount adaptors (all standard adaptor types as SC, DLC, E2000, FC, etc.) The cables are strain-relieved at the rear of the unit.

MCNR – Right side / MCNL – Left side pivoting shelf can be equipped with either a splice tray holder or bend radius protection which guides, stores and organizes excess slack. This prevents damage to fibers prior to routing into couplings. The MCNR is used in installations where space is limited.



MCNR-3-96-DLC A-4

Features:

- Aluminium alloy material - low weight and shipment costs
- Splicing and termination optical cable in one box
- For installation of adaptors under angle
- Accepts the industry's most common connector types
- Front lockable hinged door protects outgoing patchcords against damage
- Reduced depth to 240 mm for low depth rack installation
- Pivoting shelf eases connector routing and cable routing
- Cable entrance with strain relief
- Splice cassette holder enables cable termination with the help of pigtail splicing
- Durable powder coat finish light grey colour (RAL 7038, RAL 9006)

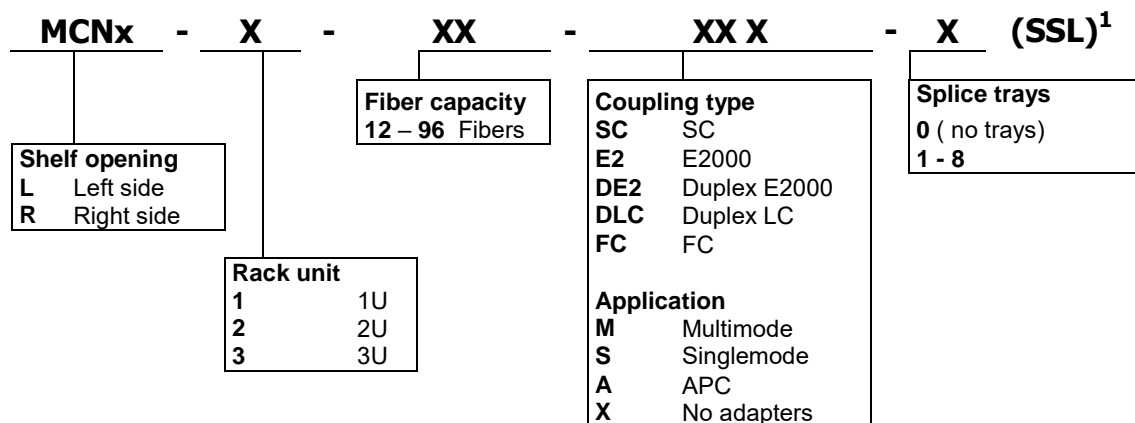
Technical specifications:

PART NUMBER	FIBER CAPACITY ¹	Max. Cassette Capacity	Height	DIMENSIONS (H x W x D) mm
MCNx-1	12	1	1U (45 mm)	45 x 432 x 240
MCNx-2	48	4	2U (88 mm)	88 x 432 x 240
MCNx-3	96	8	3U (133 mm)	133 x 432 x 240

Note: 1) Capacity mentioned for standard adaptors, for SFF adaptors (LC) capacity can be doubled, but with respect to maximal splicing cassettes capacity limitation, depending on heat shrink tubes type used.

2) Labeling and numbering on demand (optional).

Ordering code:



Note: 1) Optional material. Premium Aluminum material – **ENAW 5005 H14** with Luxury Stainless Steel Look (**SSL**)

Product examples and specifications:



MCNR-3-96-DLC A-4
(RAL 9006, Frame closed)



MCNR-2-48-FC S-4 SSL
(Frame closed)



MCNR-2-48-FC S-4 SSL
(Open frame)



Detail of front panel MCNR with one duplex E2000 adapter